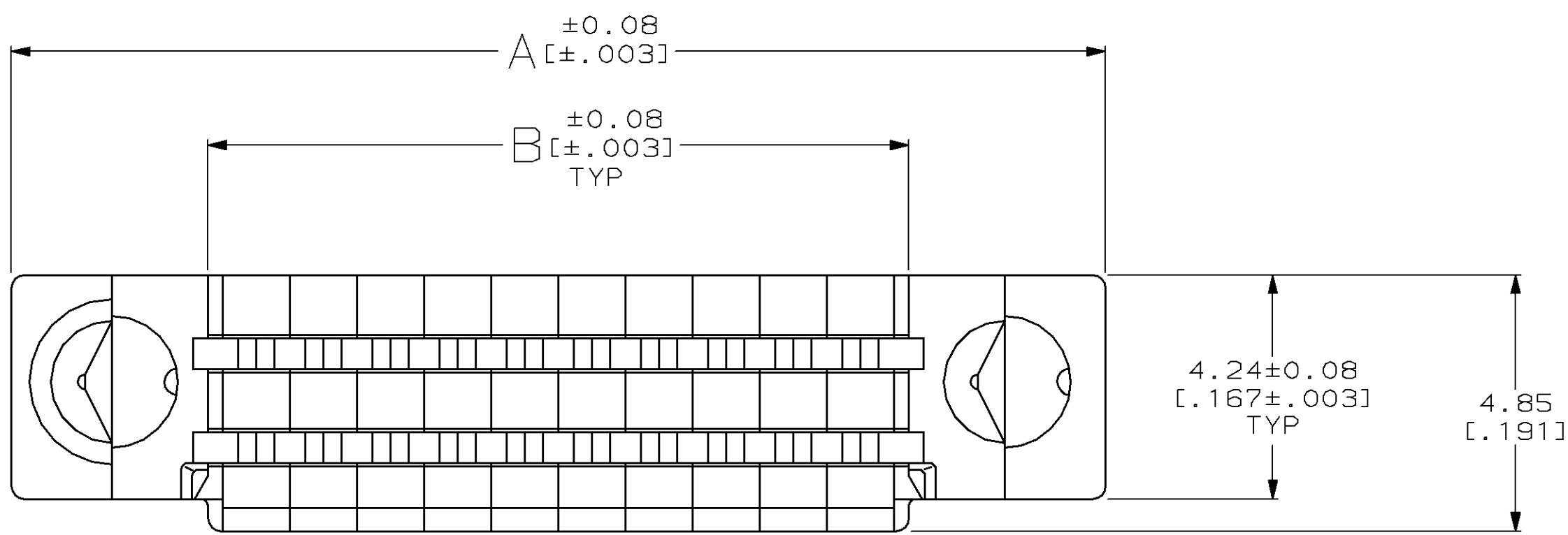
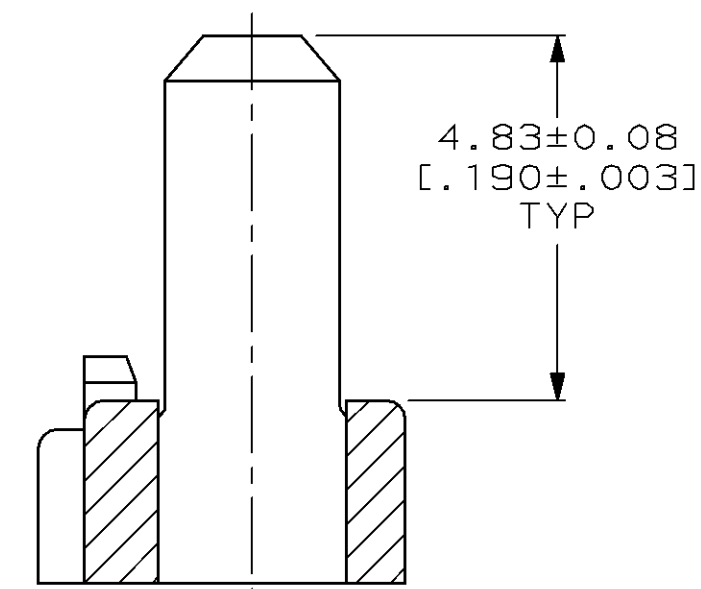
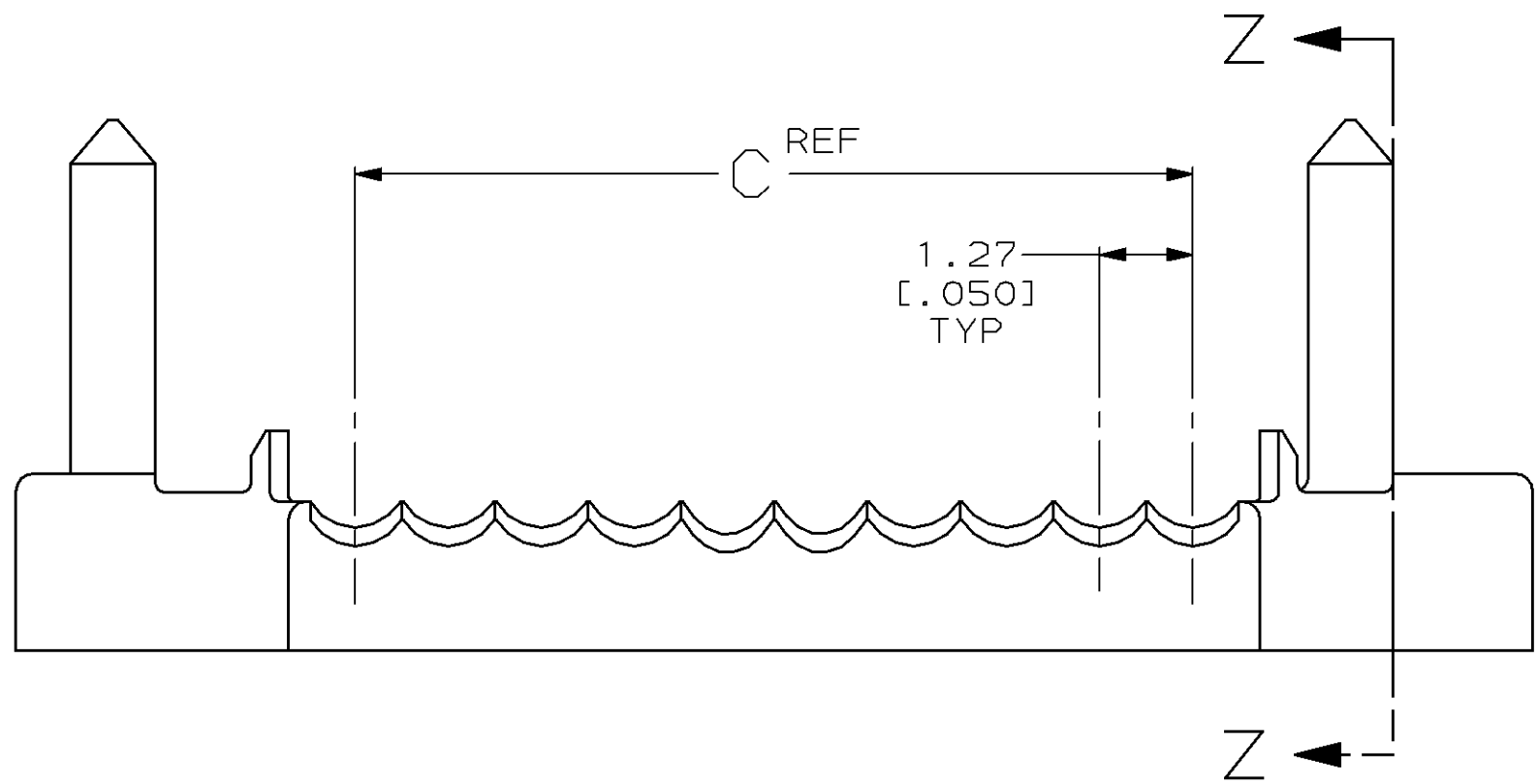


LOC		DIST		REVISIONS				
P	F	ZONE	LTR	DESCRIPTION	DATE	APPD		
BD	95			0	RELEASED TO CUST	10/19/93	-	
				A	REV PER EC 0020-829-95	10 MAY 96	RM	

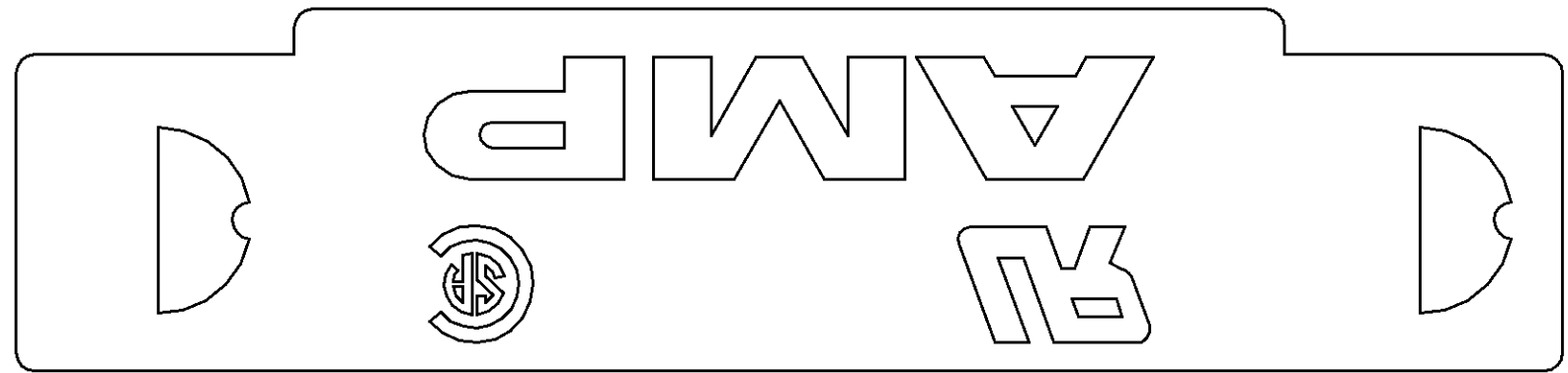


4.24±0.08  
[.167±.003]  
TYP

4.85  
[.191]



SECTION Z-Z



21.59 [.850]	23.42 [.922]	30.86 [1.215]	36	1-749108-1
15.24 [.600]	17.07 [.672]	24.51 [.965]	26	1-749108-0
74.93 [2.950]	76.76 [3.022]	84.20 [3.315]	120	749108-9
62.23 [2.450]	64.06 [2.522]	71.50 [2.815]	100	749108-8
49.53 [1.950]	51.36 [2.022]	58.80 [2.315]	80	749108-7
41.91 [1.650]	43.74 [1.722]	51.18 [2.015]	68	749108-6
36.83 [1.450]	38.66 [1.522]	46.10 [1.815]	60	749108-5
30.48 [1.200]	32.31 [1.272]	39.75 [1.565]	50	749108-4
24.13 [.950]	25.96 [1.022]	33.40 [1.315]	40	749108-3
16.51 [.650]	18.34 [.722]	25.78 [1.015]	28	749108-2
11.43 [.450]	13.26 [.522]	20.70 [.815]	20	749108-1
C	B	A	NO OF POSN	PART NUMBER

1. POLYESTER, UL 94V-0 RATED, BLACK.
2. RECOMMENED WIRE: 28 OR 30 AWG SOLID OR 7 STRAIN, 0.74- 0.91 [.029- .036] INSULATION DIAMETER. WIRE MUST BE APPROVED BY AMP INC.
3. TWO COVERS REQUIRED PER CONNECTOR ASSEMBLY.

THIS DRAWING IS A CONTROLLED DOCUMENT FOR AMP INCORPORATED. IT IS SUBJECT TO CHANGE AND THE CONTROLLING ENGINEERING ORGANIZATION SHOULD BE CONTACTED FOR THE LATEST REVISION.

DO NOT SCALE PRINT. UNLESS SPECIFIED DIMENSIONS IN mm [INCHES] TOLERANCES ON : 2 PLC DEC ±0.13 [.005] 3 PLC DEC ± - ANGLES ± -	DR 10/19/93 C.OBERMAN CHK 10-19-93 R.STONE APPD 12-6-93 R.MIKLINSKI	AMP Incorporated Harrisburg, PA 17105-3608 NAME <b>TERMINATING COVER, AMPLIMITE™ .050 SERIES</b>		
MATERIAL 1	APPD 12-6-93 R.MIKLINSKI PRODUCT SPEC 108-1228			
FINISH -	APPLICATION SPEC 114-40029	SIZE C	CAGE CODE 00779	DRAWING NO C=749108
	WEIGHT -	SCALE 10:1	SHEET 1 OF 1	